



# STRAWBLASTER OPERATING GUIDE

©2018 [BEDMASTER.COM](http://BEDMASTER.COM)

It is highly recommended that you watch the Service Video in connection with this Operation Guide at:

<https://bedmaster.com/service>



BedMaster Inc. is a family owned business located in Lewisville, Idaho, USA. Started in 1981 with the invention of the original “BedMaster” dairy bedding machine, BedMaster Inc. has built its reputation with quality manufacturing and personal service.

The original 1981 machine is still going strong today, and we have the same goal for every machine we produce.

This guide is to help you get the most out of your BedMaster machine and help you extend the life of the machine through good maintenance.

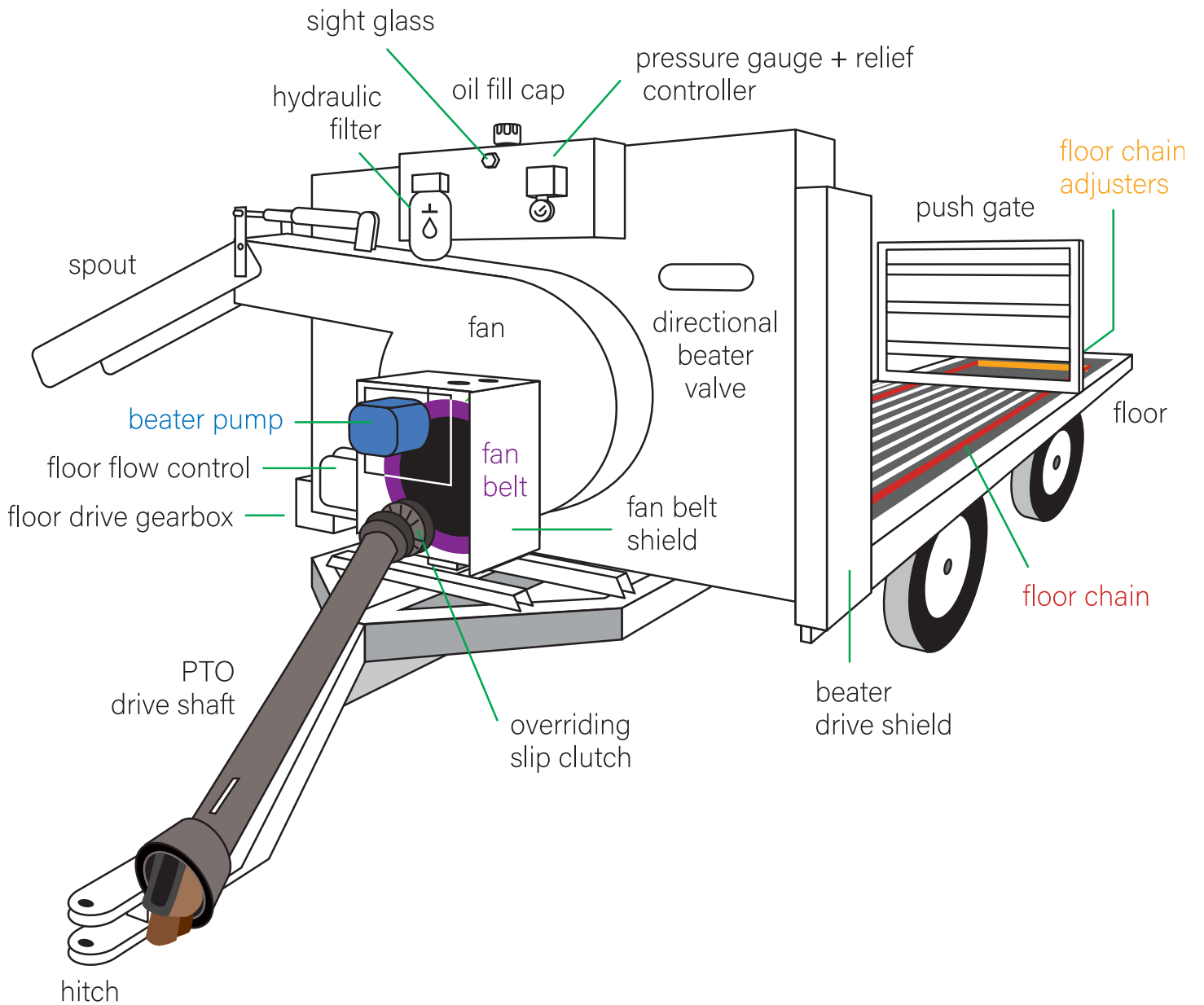
Don't hesitate to call if you have any questions.

Sincerely,

George E. Ellsworth  
President/Inventor BedMaster Inc.

+12087544605

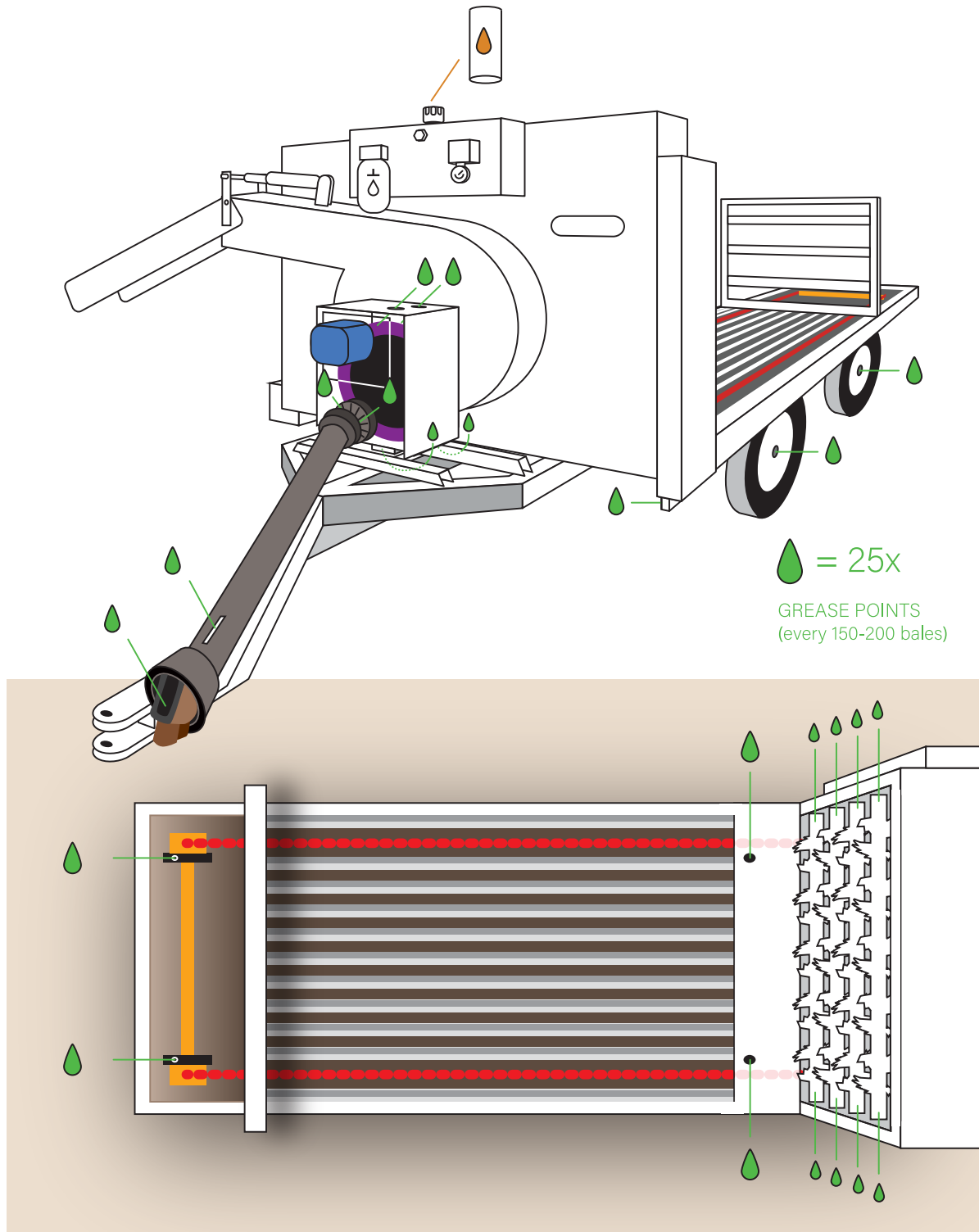
# PARTS OF THE STRAWBLASTER MACHINE



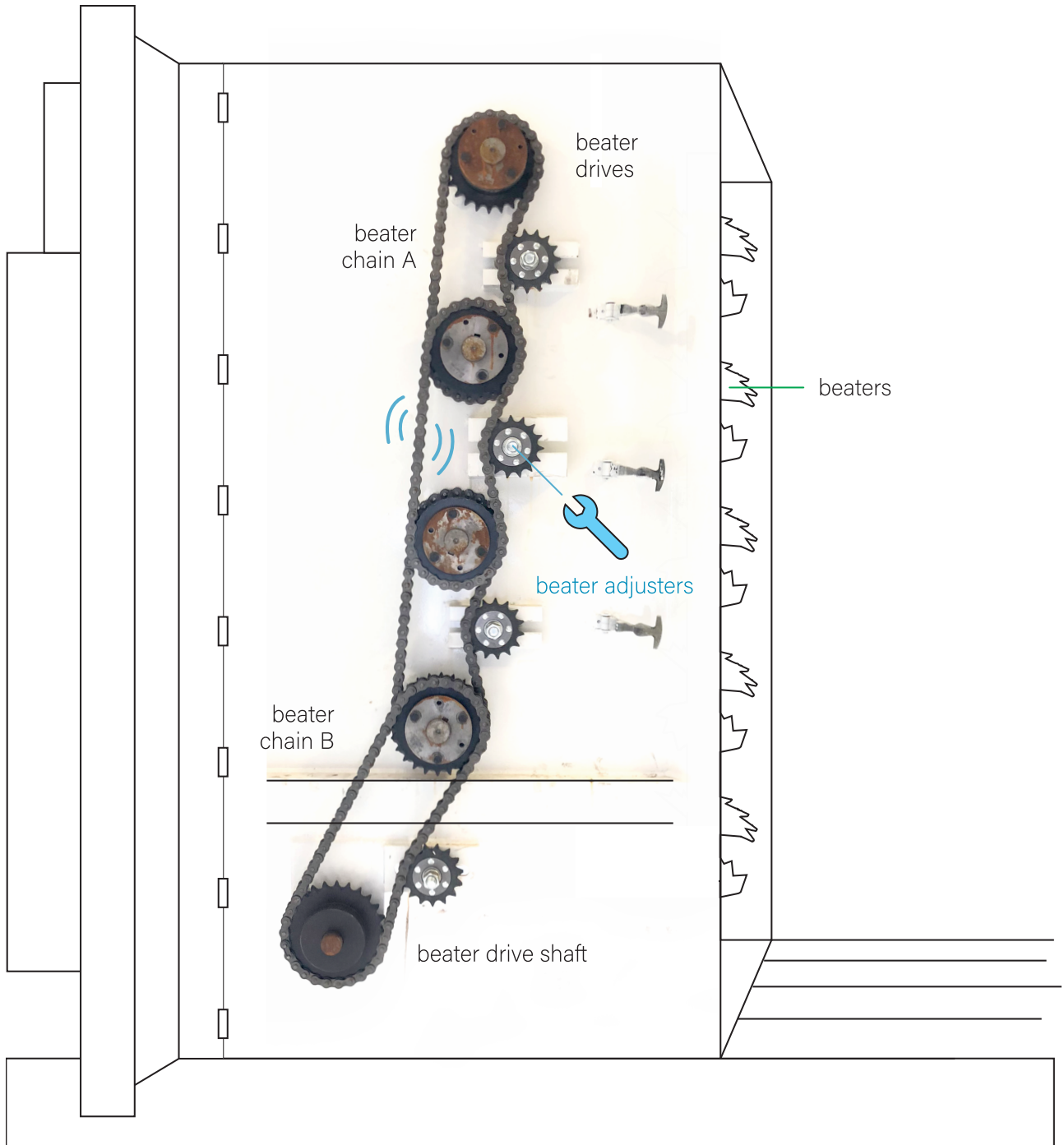
Not shown: Directional Beater Valve Control Box.



# GREASE POINTS and OIL FILL



# ADJUSTING THE BEATER DRIVES



# STRAWBLASTER PARTS DETAIL

**Bales:** Use square/rectangular bales only. Load with the bale strings sitting horizontally for easy string removal. **Cut and remove all strings after loading onto the machine. If strings are left on the bales when the bales are chopped, it can hinder the performance of the machine.**

**Beaters:** These are used to cut the bales. **IMPORTANT: Do not be near the machine while it is in operation. Getting close to the beaters while in use could result in significant injury or death. DO NOT APPROACH OR STAND NEAR THE MACHINE WHILE THE BEATERS ARE OPERATING.**

**Beater Drives:** This is used to power the Beaters, which cut the bales. If the chain becomes loose, which is common after the machine has been in operation for some time, use the Beater Adjusters to tighten the chains using a 15/16 wrench.

**Beater Drive Shield:** This houses the Beater Drives. It should be securely closed during transport and use. **Do not open the shield while in operation to prevent injury.**

**Beater Pump:** This is used to drive the hydraulic motor on the Beater Drive (located behind the Beater Drive Shield).

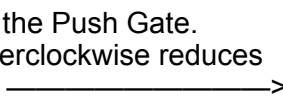
**Directional Beater Valve:** This is used to change the direction of the beaters, to either "Forward" position or "Reverse" position.

**Fan Belt:** This is located behind the Beater Pump. To replace the Fan Belt, first ensure the machine is not powered. Then, remove the bolts from the Fan Belt Shield to get access to the Fan Belt. **If you maintain the tension on the Fan Belt consistently, it will lengthen the life of the Fan Belt.**

**Floor Chain:** This is used to pull the Push Gate. Don't allow the chain to become too loose. This can be measured by if the chain can be lifted by hand more than a few inches. ( X cm)

**Floor Chain Adjusters:** This is used to maintain tension on the Floor Chains. To make adjustments to the tension, loosen the two rear bearings and tighten with the tightening bolt.

**Floor Drive Gearbox:** This is used to drive the Floor Chains under the Push Gate. Use 85 W-90 gear lube in the fill hole.

**Floor Flow Control:** This is used to control the speed of the Push Gate. Turning the control clockwise increases the speed, counterclockwise reduces the speed. Normal speed is usually set at about "7:00." 



**Grease Points:** There are 25 Grease Points on the machine and tires. This should be checked every 150-200 bales. Use a grease gun to apply the grease.

**Hydraulic Filter:** The machine comes with a FleetGuard HF-6057 filter.

**Oil Fill Cap:** Check levels in sight glass. If no oil appears in the sight glass, fill with “Universal Transmission Hydraulic Fluid.” (I.e. John Deere Hy-Guard or CASE-IH Hytran.)

**Overriding Slip Clutch:** This is used to protect the machine from overload. When this is broken, it will no longer turn the Fan.

**Pressure Gauge and Relief Controller:** If it reads as no pressure, it can indicate a number of issues. Such as:

- Low oil in the Oil Fill Cap.
- Worn Beater Pump.
- Defective Pressure Relief Valve (located on the pressure gauge)
- Fan belt is loose or defective.

**PTO Drive Shaft:** This is used to power the fan and the beater pump. This connects to the tractor PTO. Recommend at least 50hp (horsepower) to properly operate the machine.

**Push Gate:** This is used to push the bale(s) toward the beaters. Bales are to be set between the push gate and the beaters. Do not put the bales behind the push gate.

**Spout:** This is used to control the direction of the hay/straw. It can rotate up to 90 degrees. It is controlled by the hydraulic arm above it which is controlled by the remote in the tractor. It is recommended to have the arm completely down during transport to avoid damage. Note: the multidirectional spout has been discontinued.

**Tire pressure:** Maintain at 35 lbs pressure (PSI).

To reorder parts, please contact us at +1 208.754.4605.